

## ANALOGUE AUDIO MIXER & DISTRIBUTION AMPLIFIER 8 inputs audio mixer to 8 mixed outputs

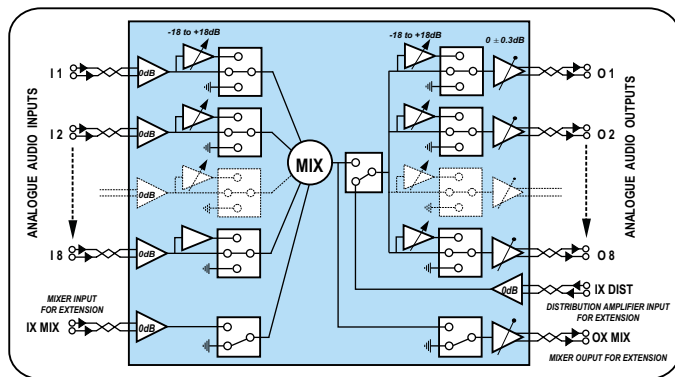
# AAM 658

The **AAM 658** is an analogue audio mixer with 8 inputs. The **AAM 658** distribution amplifier provides 8 outputs of the audio mixed signal.

The **AAM 658** used in the 19" 1U rackframe allows only the stand-alone mode without input / output extension possibilities.

The **AAM 658** used in the 19" 3U rackframe can be cascaded to mix up to 24 (3x8) monaural analogue audio signals or more. The **AAM 658** selectable modes are: stand-alone, master, intermediate, slave.

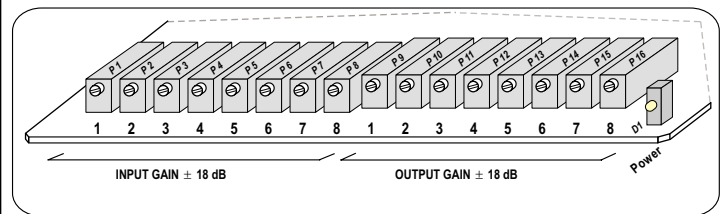
The **AAM 658** is designed on an "Europe" 3U electronic board. Level adjustments and Led power control access from board's front side.



Functional block diagram

### Features

- 8 differential analogue audio inputs
- 8 differential outputs of the mixed signal
- 1 differential mixer input for extension (IX MIX)
- 1 differential mixer output for extension (OX MIX)
- 1 differential distribution amplifier input for extension (IX DIS)
- For each input, switchable selections:
  - constant level 0dB
  - variable level  $\pm 18$ dB
  - mute
- For each output, fine adjustment ( $\pm 0.3$ dB) and switchable selections:
  - constant level 0dB
  - variable level  $\pm 18$ dB
  - mute
- Variable input / output levels on front side of the board



Front edge of the board

### User Controls

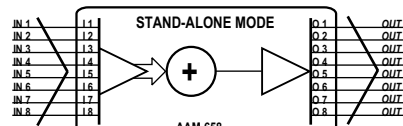
#### FRONT PANEL ADJUSTMENTS and LED

P1 to P8: Input levels  $\pm 18$  dB

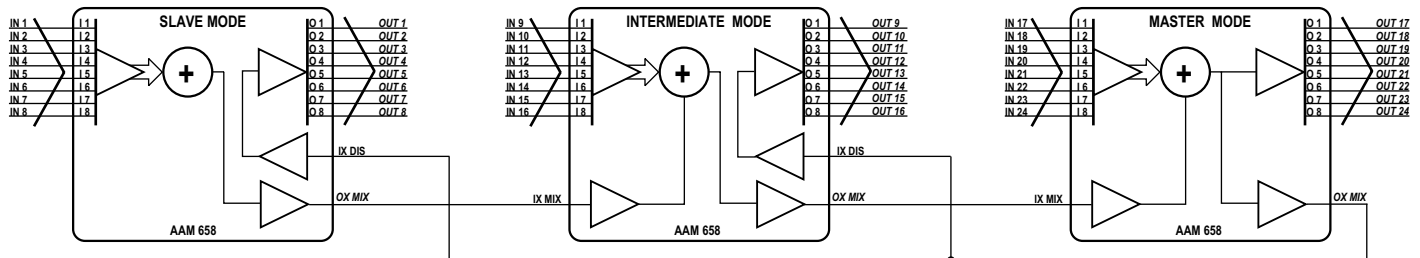
P9 to P16: Output levels  $\pm 18$  dB

D1: Power supply

### Typical Configurations



8 Inputs / Outputs stand-alone mode  
(19" 3U & 19" 1U rackframes)



24 (3x8) Inputs / Outputs with 3 x AAM658  
(19" 3U rackframe)

### Technical Specifications

#### ANALOGUE AUDIO INPUTS

SIGNALS: balanced analogue audio  
 IMPEDANCE: 24K  $\Omega$   
 MAXIMUM AUDIO LEVEL: +24 dBu  
 LEVEL SELECTIONS: 0 dB or variable  $\pm 18$ dB  
 MUTE: > 100dB

#### ANALOGUE AUDIO OUTPUTS

SIGNALS: balanced analogue audio  
 IMPEDANCE: 50  $\Omega$   
 LOAD IMPEDANCE:  $\geq 600 \Omega$   
 MAXIMUM AUDIO LEVEL: +24 dBu  
 LEVEL SELECTIONS: 0dB  $\pm 0.3$  or variable  $\pm 18$ dB  
 MUTE: > 100dB

#### PROCESSING PERFORMANCE

S/N RATIO: -85dBu  
 THD at +6dBu: < -100dB  
 TDH at +24dBu: < -100dB  
 BANDWIDTH: 20Hz to 20KHz (-0.05dB)  
 POWER: < 10 W

# AAM 658

## ANALOGUE AUDIO MIXER & DISTRIBUTION AMPLIFIER 8 inputs audio mixer to 8 mixed outputs

### Mounting Frames

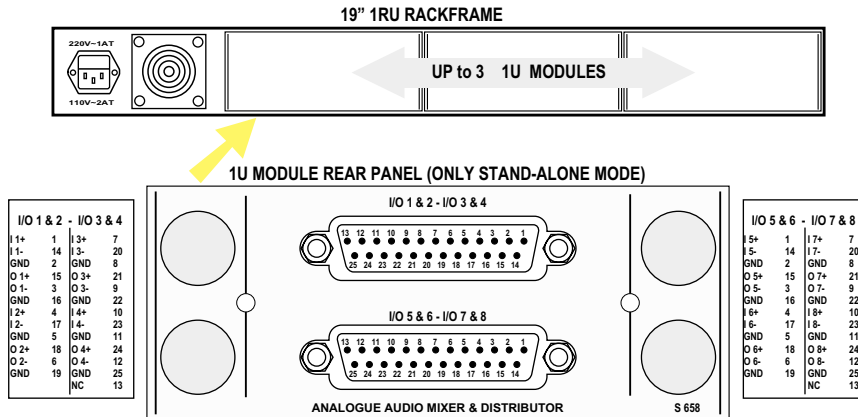
#### 19" 1RU RACKFRAME

The 19" 1RU rackframe is divided into three identical parts meant to receive the electronic plug-in boards. Each part can hold two 3U Europe plug-in boards with modular rear panel and interconnection. The power supply is incorporated into the mechanical structure. Ventilation of the rack is performed by forced convection. Access is given to electronic plug-in boards by rocking down the front panel.

DIMENSIONS : 1RU x 380 mm deep  
WEIGHT : < 5kg

TEMPERATURE RANGE : 0-40°C  
ELECTRONIC PLUG-IN BOARDS : up to 6

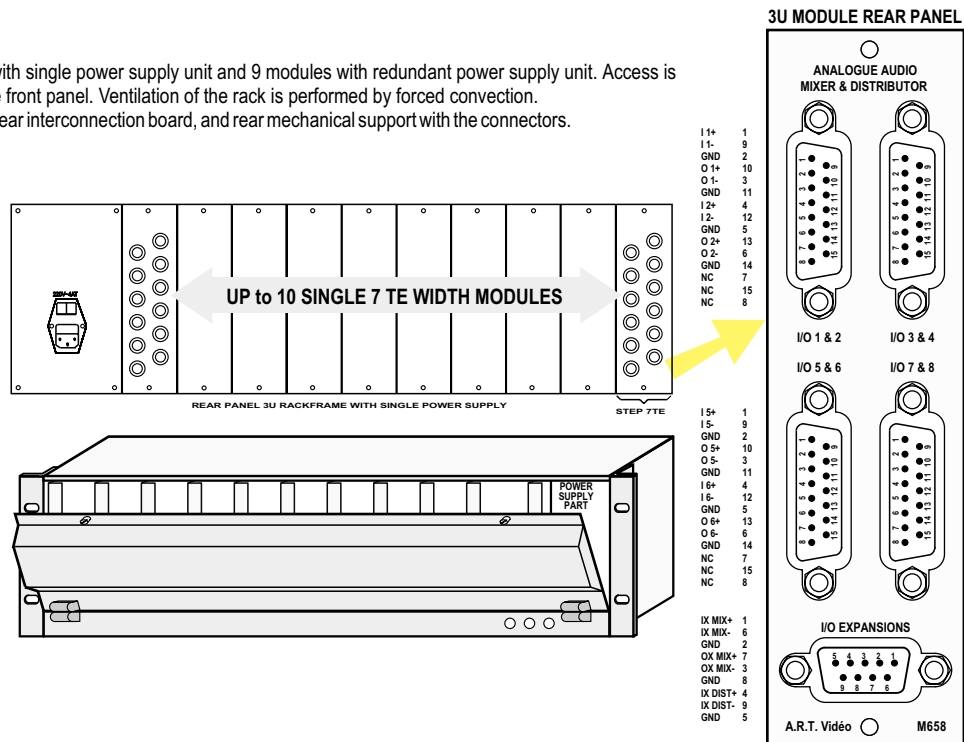
POWER INPUT RANGE : 97-240 V/50-60 Hz  
POWER : 80 W max



#### 19" 3RU RACKFRAME

The 19" 3U rackframe holds up to 10 modules with single power supply unit and 9 modules with redundant power supply unit. Access is given to electronic modules by rocking down the front panel. Ventilation of the rack is performed by forced convection. Each module includes : electronic plug-in board, rear interconnection board, and rear mechanical support with the connectors.

DIMENSION : 3RU x 410 mm deep  
WEIGHT : < 15 Kg  
TEMPERATURE RANGE : 0 - 40°C  
ELECTRONIC MODULES : 10 with single power supply  
9 with redundant power supply  
POWER INPUT : 88 - 135 V or 185 - 264 V  
50 /60 Hz (Switchable)  
POWER : 150 W max



### Ordering informations

B-AAM658 : Analogue Audio Mixer & distributor  
Electronic plug-in board

#### 19" 1RU rackframe

RACK1U : 19" 1RU rackframe with power supply  
INT-1U: interconnection unit for electronic board (S 658)

M-AAM658 : Analogue Audio Mixer & distributor  
3U module for 19" 3RU rackframe  
(B-AAM658 Electronic plug-in board and MOD 3U rear panel)

#### 19" 3RU rackframe

RACK3U-1 : 19" 3RU rackframe with single power supply  
RACK3U-2 : 19" 3RU rackframe with redundant power supply  
MOD 3U : rear panel for 19" 3U rackframe (M658)  
BPM-1 : blank rear panel unit

Specifications and designs are subject to change without notice